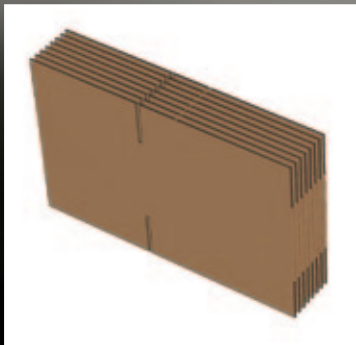


ORFER



ROBOSTICS®
OSOLUTION
LET IT FLOW

Flexible robot packing machine



ORFER **BXC+**
BoxCellPlus



Economical fully automated packing machine

ORFER BoxCellPlus opens the cardboard, folds the flaps, fills out the cardboard boxes and seals the bottom with tape. Due to a modular structure and an adjustable control system it is easy to connect to an automated packing system.

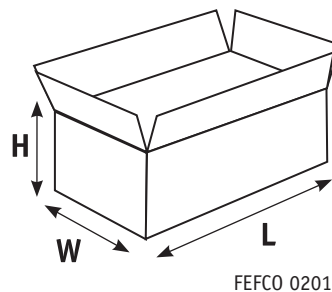
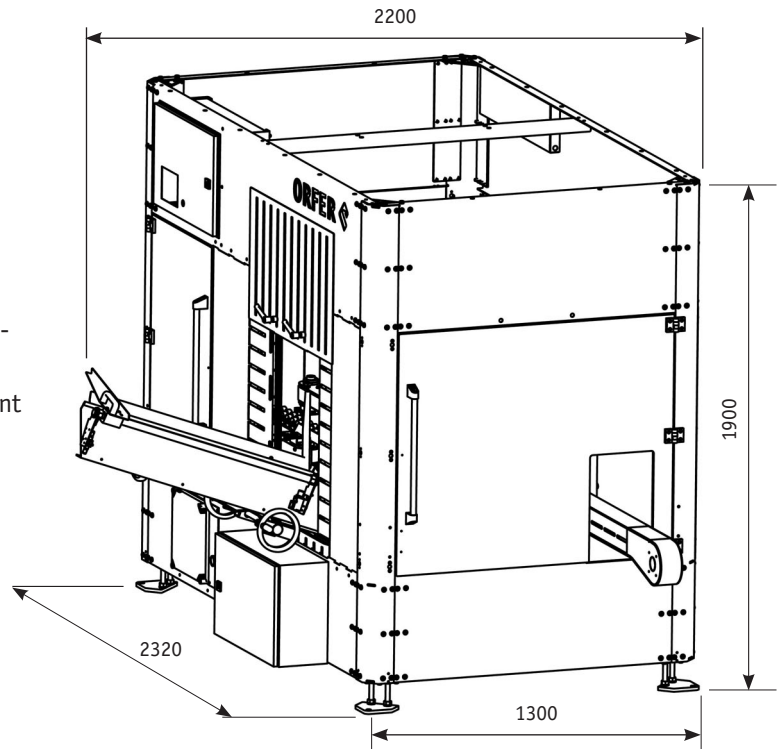
The high speed of Toshiba SCARA robots has made the development of the packing cell possible. The robot can handle all products weighing less than 10 kilograms due to its excellent handling capabilities. Toshiba has been proven very reliable, durable, and maintenance-free, due to its simple structure.

ORFER BoxCellPlus benefits:

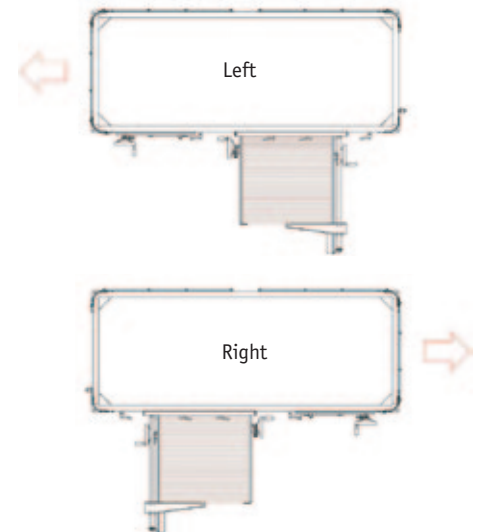
- fast installation and implementation
- easy to use and cost effective
- compact size
- fast changes between different box sizes
- large doors, easy access inside
- strong frame structure
- good visibility inside the machine
- high-quality components

Technical specifications:

Box dimensions	L = 200–400 mm W = 150–300 mm H = 100–300 mm
Max. cardboard size	L+W = 720 mm H+W = 620 mm
Capacity	8–12 boxes/min 40–70 products/min
Bottom closure	with tape
PLC	Siemens S7
Connected load	5.4 kVA
Voltage	400V 50Hz
Control voltage	24 VDC
Pressurised air consumption	6 bar 30l/box
Devices	electric and pneumatic
Weight	700 kg



FEFCO 0201



Options:

- left and right-handed models
- opening doors at the rear
- protective tunnel for box output
- remote connectivity
- maintenance agreement, oCare 24/7
- vision system
- stainless steel frame for demanding environment

